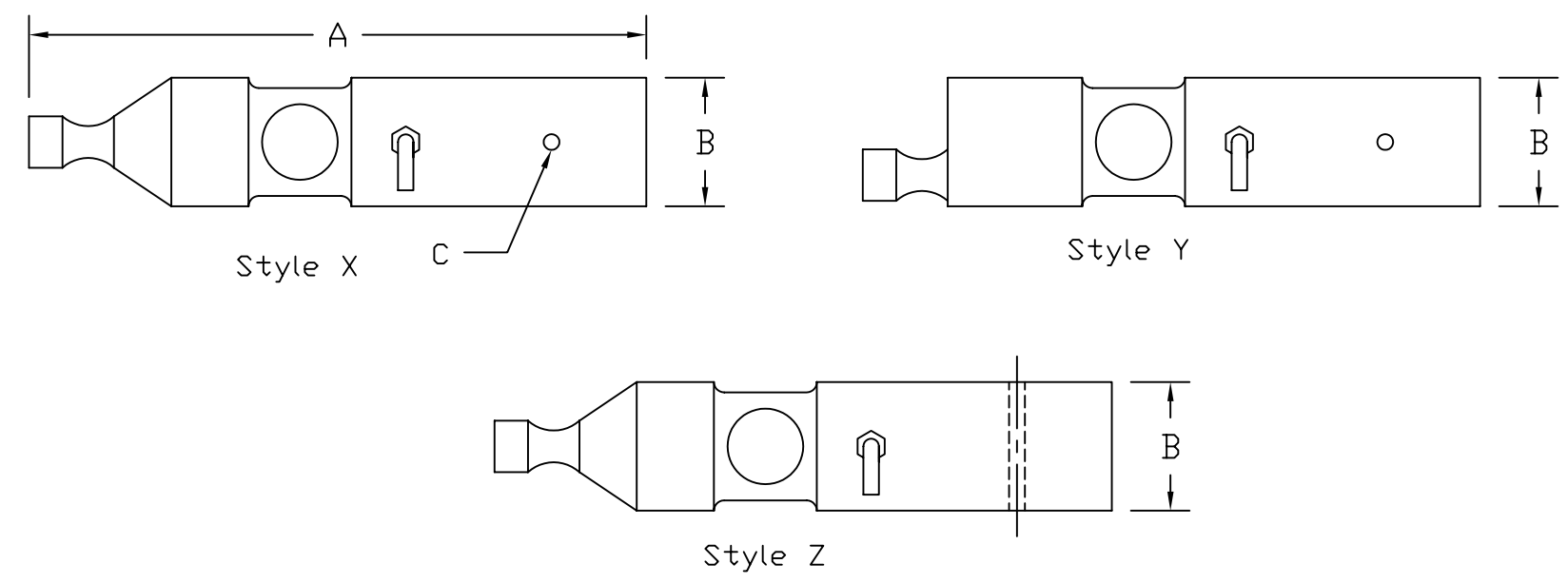


REVISIONS							
ZONE	LTR.	DESCRIPTION	DATE	ECN	BY	CKD	APVD
-	-	INITIAL RELEASE	11/03/06	-	-	-	-

\*NON-NTEP

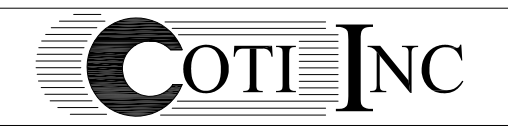
PERFORMANCE SPECIFICATIONS:

- CAPACITIES: \*1.25K, 2.5K, 5K, 10K, 25K, 37.5K, 50K, & \*75K LB
- RATED OUTPUT: 2.00 mV/V ±1%  
(3.00mV/V ±1% 37.5K, 50K, 75K)
- SAFE OVERLOAD: 150% FS
- EXCITATION VOLTAGE: 10-15V AC/DC
- BRIDGE RESISTANCE: 350 OHMS
- ZERO BALANCE: ±1.00% FS
- SEAL TYPE: ENVIRONMENTALLY SEALED
- NTEP RATED
- CLASS 111L, 10,000 DIVISION, MULTIPLE CELL
- COMPENSATED TEMPERATURE RANGE: -10°C - +40°C
- TEMPERATURE EFFECT ON ZERO: ±0.02%FS/10°C
- TEMPERATURE EFFECT ON OUTPUT: ±0.02%FS/10°C
- INSULATION RESISTANCE: >5000 MEGOHMS
- LOAD CELL CABLE:
  - 1.25K - 10K: 4 CONDUCTOR, 20 FT
  - 25K - 75K: 4 CONDUCTOR, 50 FT (BRAIDED SHIELD)
- LOAD CELL WIRING:
  - GREEN +EXC
  - BLACK -EXC
  - WHITE +SIG
  - RED -SIG
  - BRAID/YELLOW: SHIELD



RATED CAPACITY	DIMENSIONS					
	STYLE	A	B	C		
1.25K	X	11.50	1.25	0.31		
2.5K	X	11.50	1.62	0.38		
5K	Y	10.88	2.00	0.38		
10K	X	12.62	2.50	0.38		
25K-37.5K	X	14.88	3.50	0.50		
50K-27173	X	14.88	3.50	0.50		
50K-50104	Z	14.88	3.75	0.50		
75K	X	18.88	5.00	0.50		

\*DO NOT ALTER WITHOUT AGENCY NOTIFICATION\*



**CI-WB SINGLE ENDED BEAM  
NTEP LOAD CELL**

<p>THIS DRAWING USES THIRD ANGLE PROJECTION</p>	<p>TOLERANCES UNLESS OTHERWISE SPECIFIED .XX-±.01 .XXX-±.005 FRACTIONS-±1/16" ANGLES: ±1/2"</p>	APPROVALS	DATE
		DRAWN: MP	11/03/06
		CHECKED: AA	11/03/06
		ENGINEER: WH	11/03/06
APPROVED: WH		11/03/06	
MATERIAL			
1.25K-10K - STAINLESS STEEL			
25K-75K - ALLOY STEEL			

SCALE	SIZE	PART/DRAWING NO.	REV.
NONE	B	DOD-CI-WB	-
MODEL CI-WB		SHEET 1 OF 1	